



Convenient & Compact!

Perfect for situations with minimal storage space, the FP-M FilterPak combines style and convenience in a compact design that allows the operator to carry it just about anywhere. This powerhouse has the ability to filter oil viscosities up to 600cSt (ISO VG 680) at 100°F within ambient temperature ranges of -15°F to 150°F.

Typical Applications

- Filtering contaminated system
- Flushing new or repaired systems
- Pre-filtering new oil
- Transferring oils
- Topping off reservoirs
- Dispensing new oil

M Series FilterPak

Performance:

For filtering mineral and synthetic based oils (hydraulic oils, gear oils and turbine oils) with a maximum operating viscosity range of ISO VG 680 (3000ssu/648cSt) at 100°F within ambient temperature ranges of -15°F to 150°F.

Standard Features:

Materials:

- Frame: Heavy duty, diamond plated aluminum frame
- Motor: 1/4HP, 1/2HP or 1HP, 115vac, 60Hz
- Filter Heads: Low pressure, aluminum heads
- Pump: Aluminum gear pump. Available in 2, 5 and 10 GPM
- Connections: Various quick connect options available
- Hoses: 7ft. Clear PVC, steel reinforced hose or hydraulic hose
- Power Switch: Sealed On/Off Power Switch

Filter Indicators:

- Pop up indicator triggers at 50psid when elements need to be changed.

Pump Relief:

- Opens at 150psi

Weight:

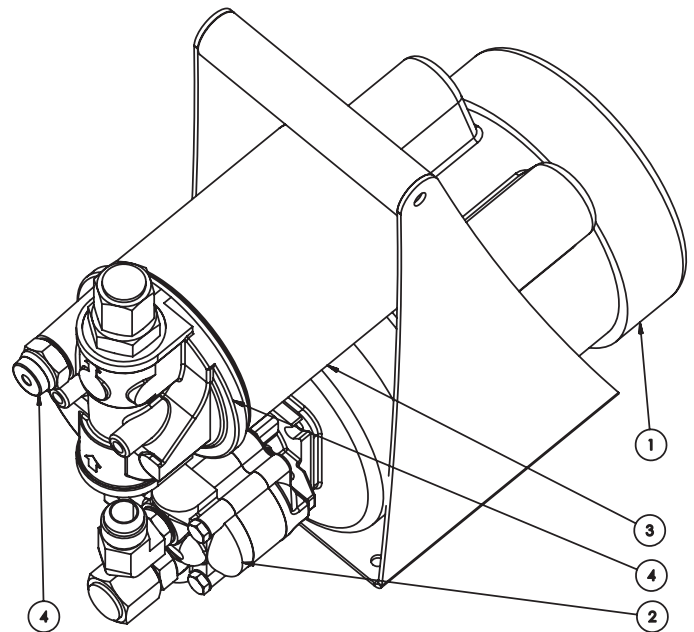
- Approx. 50lbs (will vary depending on options)

Dimensions:

- Approx. 8"L x 16"W x 16"H

Components:

Item Number	Description	Qty.
1	Motor	1
2	Pump	1
3	Filter Element	1
4	Filter Head	1
5	Filter Indicator	1



Replacement Elements:

Part Number	BETA Rating	Desired Cleanliness Level (ISO Code)
P1068	β3(c)=1000	14/12/9 - 13/11/8
P1069	β6(c)=1000	17/15/12 - 14/12/9
P1070	β10(c)=1000	18/16/13 - 17/15/12
P1071	β25(c)=1000	21/19/16 - 20/18/15
P1072WR	Water Removal	

All M Series elements measure 5" x 10".